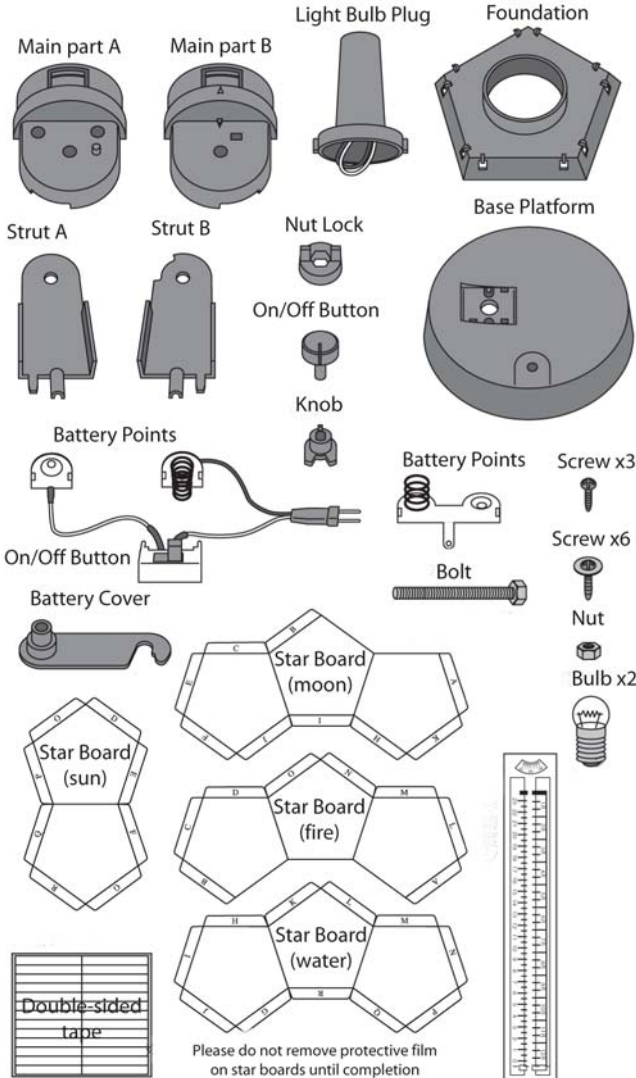


ASTROSTAR

The magic of starlight indoors!

"Project a map of the heavens onto your ceiling and walls..."

Set up your AstroStar by aligning it according to your location and the time of the year and it will project a map of the clear night's sky all around you



Screwdriver and 2 x AA batteries required

Note:

Please keep small parts away from children.

Please insert batteries correctly and make sure that you read all instructions before use.

Do not mix different types of batteries

Only use new batteries

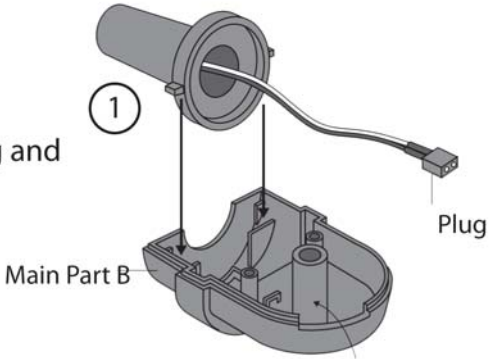
Remove batteries if Astrostar is not being used.

Materials:

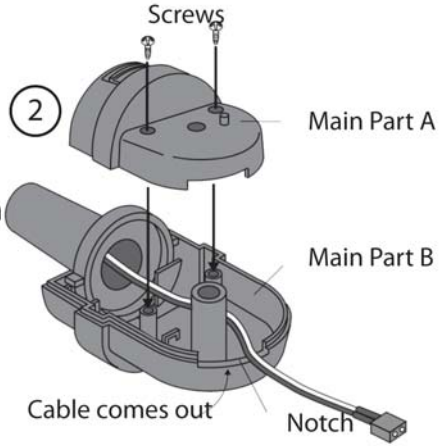
Star Board: PP
Main Body: HIPS

Made in China

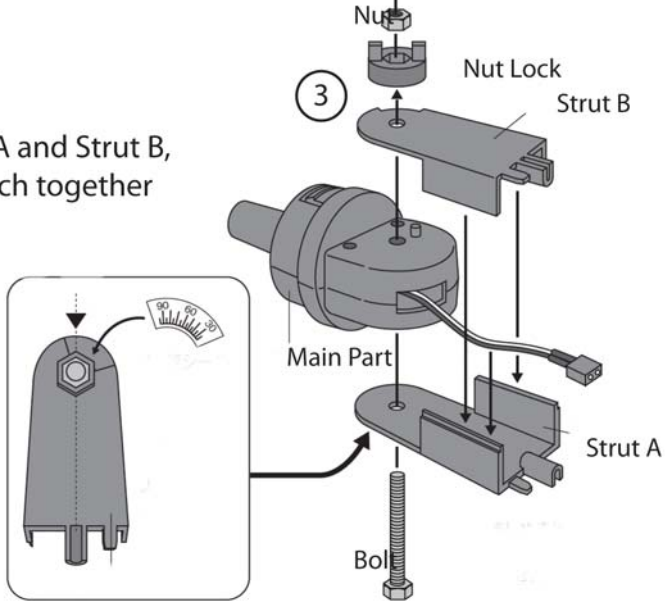
Take the cable from the Light Bulb Plug and fix to Main Part B



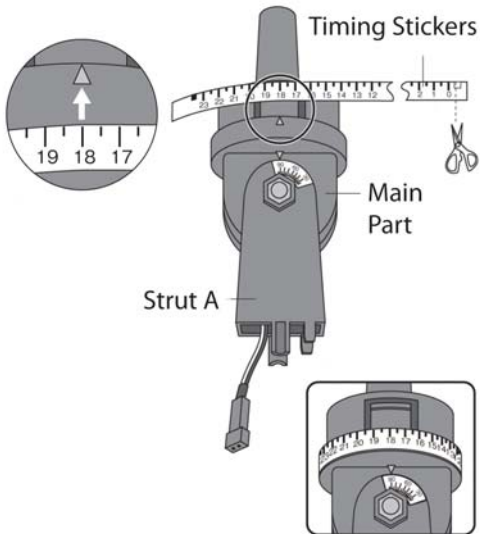
Fix Main Part A to the finished Main Part B. Screw together carefully, ensuring the cable comes out the the notch at the top



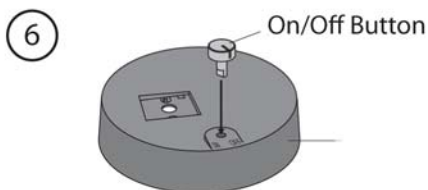
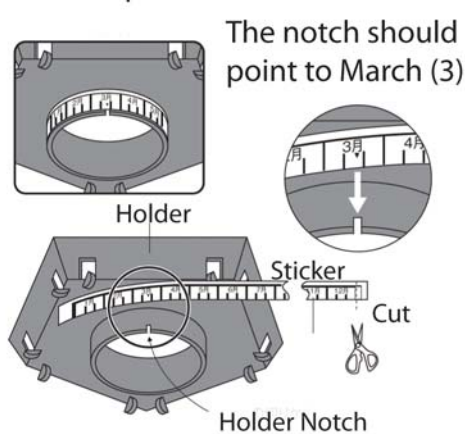
Attach this between the Strut A and Strut B, use Screws and the Nut to attach together



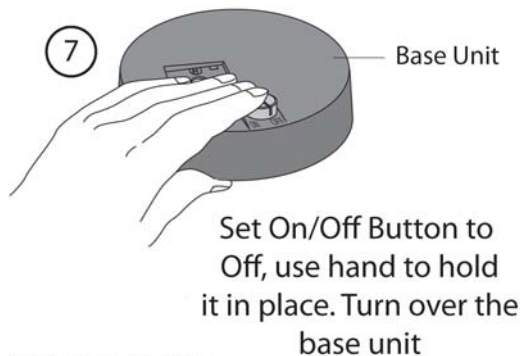
- 4 Number 18 on the stickers needs to point to the triangle on Strut A



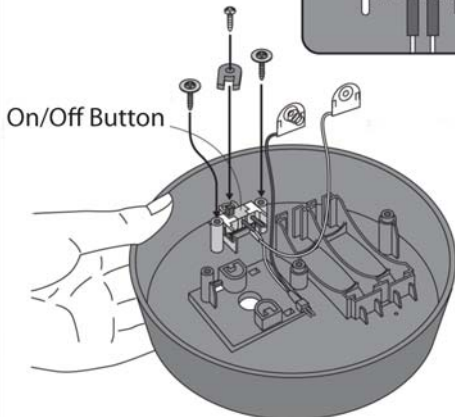
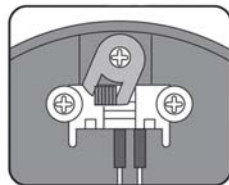
- 5 The timing stickers need to be placed onto the holder. The notch should point to March (3)



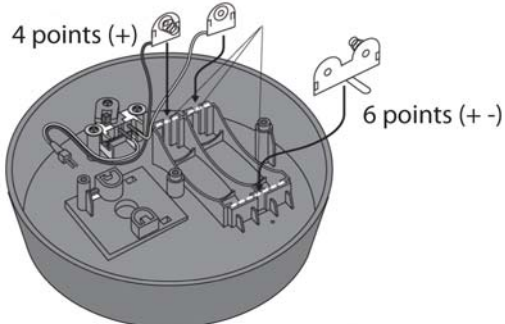
Insert On/Off Button to Base Unit



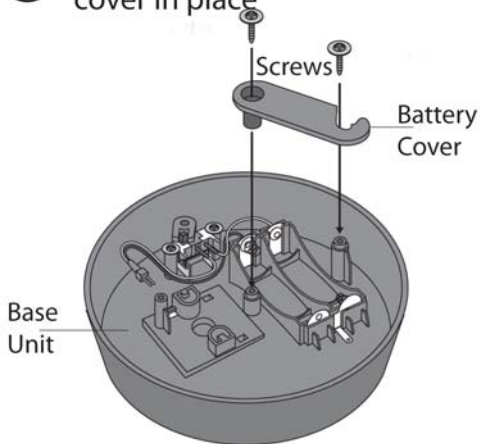
- Set button to OFF
- See Picture - Use Knob to hold the On/Off button
- Use 3 Screws to secure



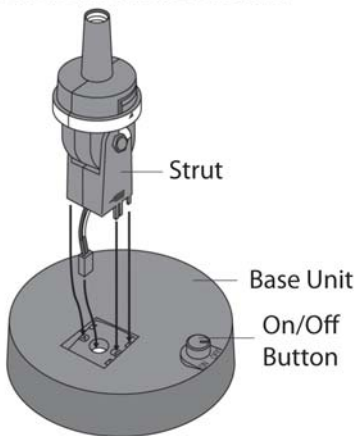
- 8
- Insert batteries into the box
 - Insert battery point (+)
 - Insert battery point (+ -)



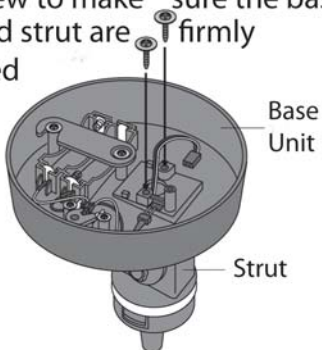
- 9 Use Screws to fix the battery cover in place



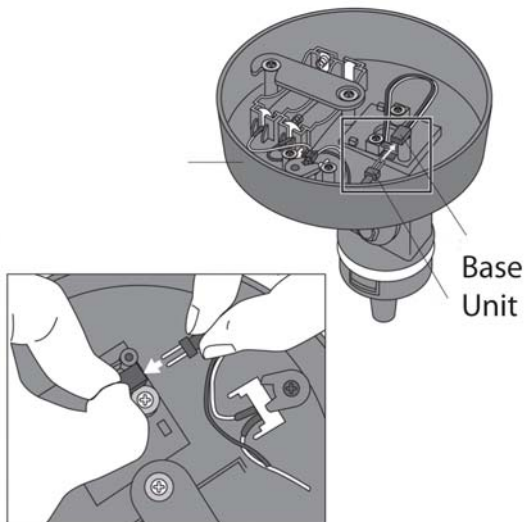
- 10 The plug should go through the hole in the base unit



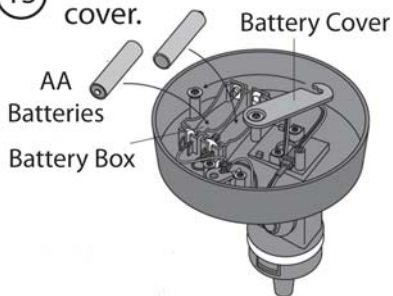
- 11 Turn over the base unit, use a screw to make sure the base unit and strut are firmly attached



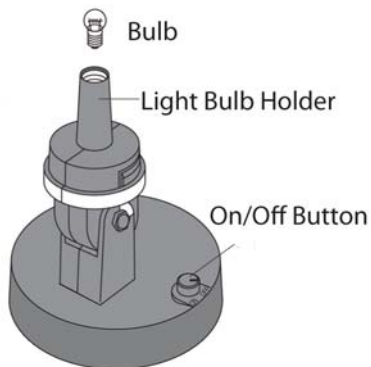
- 12 Connect the plug



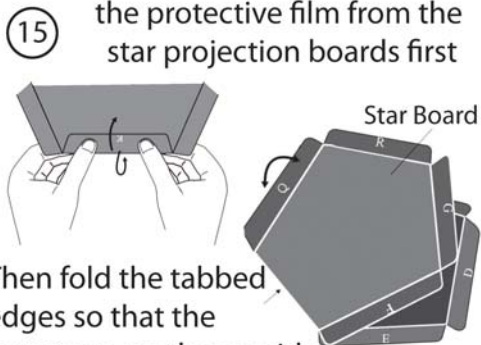
- 13 Insert 2 x AA batteries and replace cover.



- 14 Insert the Bulb into Holder firmly

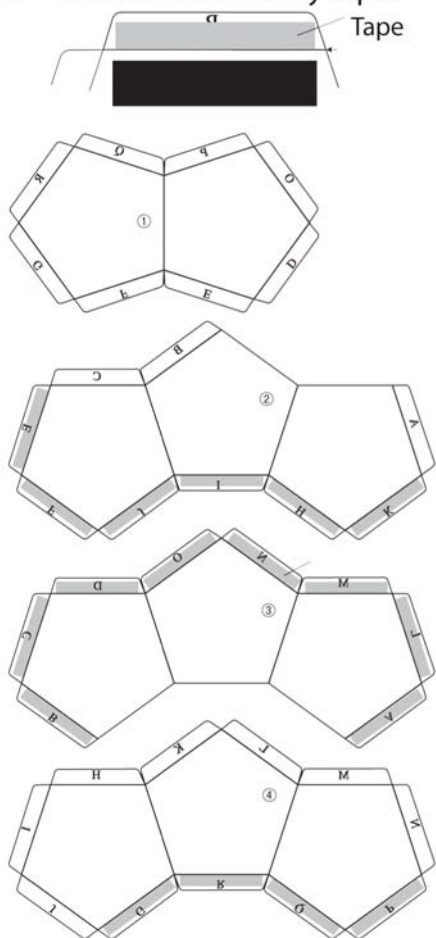


You may find it easier to remove the protective film from the star projection boards first



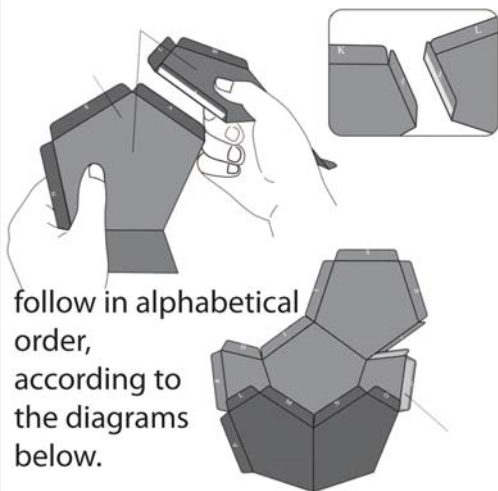
Then fold the tabbed edges so that the letters are on the outside.

16 Assemble the Astrostar using double-sided sticky tape.



Attach the tape to the letters as shown above.

17 Starting with letter A, stick the tabs together.

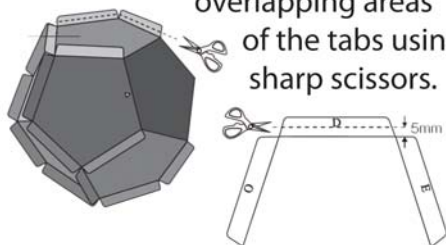


follow in alphabetical order, according to the diagrams below.

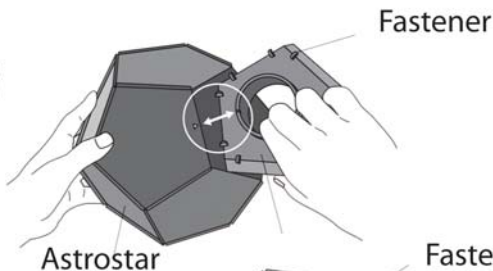
18 Recommended attachment method.

1. Uncover a quarter of the tape.
2. Press the tabs together.
3. Gradually remove the tape's covering.
4. Squeeze the tabs together firmly.

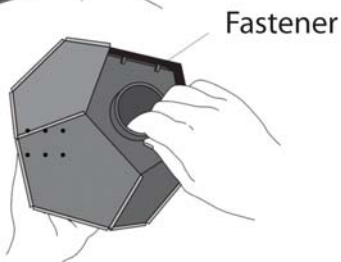
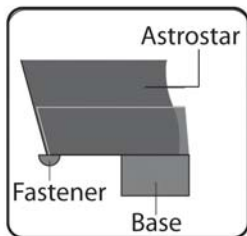
19 Once assembled, trim the overlapping areas of the tabs using sharp scissors.



20

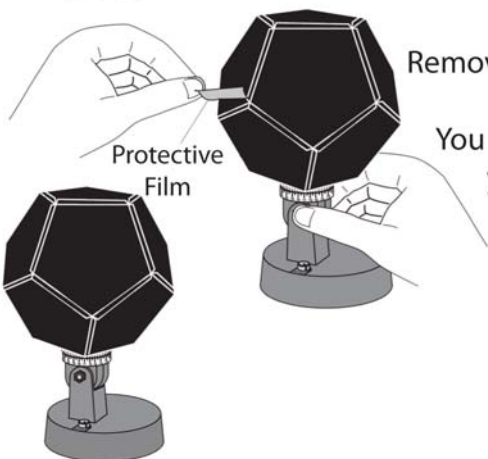
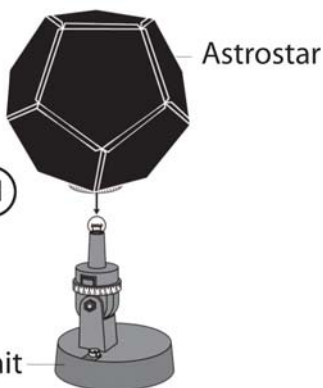


Attach the Astrostar to its base



Press firmly until secure

21

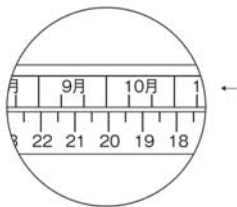
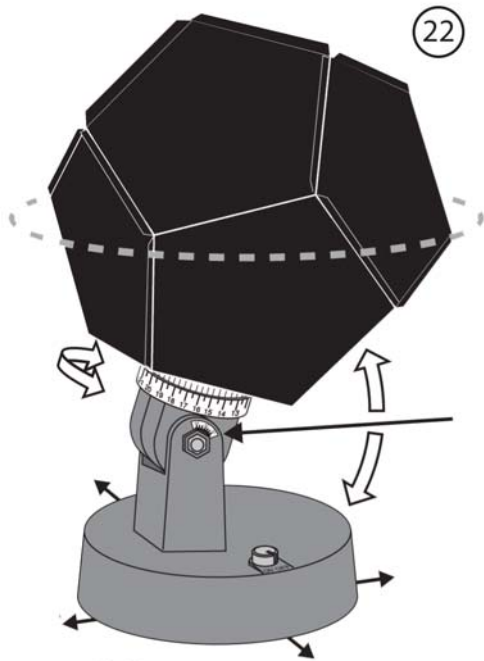


Remove protective film from Astrostar

You may find it easier to remove if you use the adhesive tape

Finished

22



To align the Astrostar to your location, for an accurate map of the sky, use a compass to find North, and then position it as shown.

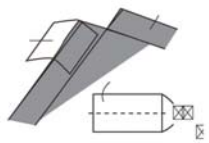
Then adjust the base according to the time of day.

When projecting indoors on walls or ceiling, the stars may appear slightly distorted.

If you want the very clearest projection, position the Astrostar near to a flat surface.

Q & A

Q: What if the doublesided tape is not holding the tabs securely.



A: Try a different brand. Or alternatively, use a stapler to attach the tabs.

Q: What happens if the lightbulb fails?

A: Replace it with a similar 2.5V 0.5A bulb.
A local electronics goods shop should be able to supply this.

ASTROSTAR

The magic of starlight indoors!

ASTROSTAR - ASTROSTAR



Imported & Distributed by **Thumbs Up (UK) Ltd**, Ruislip, HA4 0EJ, United Kingdom
www.thumbsupuk.com

